

Inside Micrometers

MeasurLink ENABLED
Data Management Software by Mitutoyo

Inside Micrometers SERIES 345 — Caliper Type

- Carbide measuring faces.
- Equipped with a constant measuring-force device.
- Optional Setting Rings (nominal size below 300 mm), CERA Inside Micro Checker (more than 25 mm) and Gauge Block Accessory Sets are available as reference gages for datum adjustment. (Refer to pages C-28, C-52, and E-17 to E-20 for details)



345-250-30

SPECIFICATIONS

Metric					
Order No.	Range (mm)	Resolution (mm)	Maximum permissible error J_{MPE} (μ m)	Jaw	Mass (g)
345-250-30	5 - 30	0.001	± 5	Pin	320
345-251-30	25 - 50		± 6	Anvil	325

Inch / Metric					
Order No.	Range (in)	Resolution	Maximum permissible error J_{MPE} (in)	Jaw	Mass (g)
345-350-30	0.2 - 1.2	0.00005 in/ 0.001 mm	± 0.00025	Pin	320
345-351-30	1 - 2	0.001 mm	± 0.0003	Anvil	325

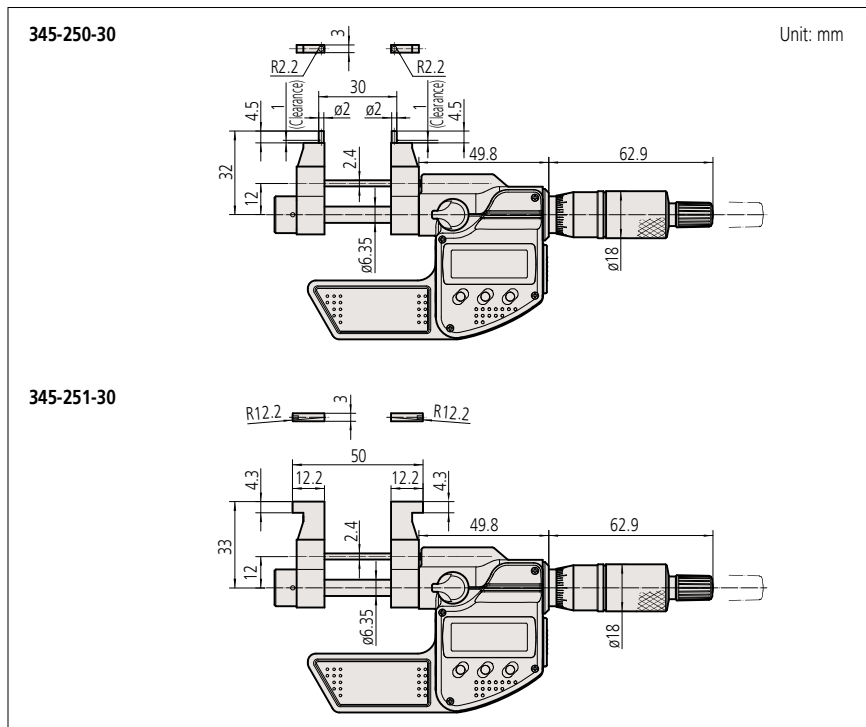
- Battery and Scale Type: SR44 (1 pc.), **938882**, for initial operational checks (standard accessory)
- Battery life: Approx. 2.4 years under normal use
- Scale type: Electromagnetic induction-type rotary encoder

Note 1: For the functions, refer to **293** Series with SPC data output on page B-7.

This model is NOT water-proof. Also, the origin setting is the free preset type.

Note 2: The minimum pitch circle measurement is $\phi 5$ mm with pin type (**345-250-30**, **345-350-30**).

DIMENSIONS



Measurement example



Optional Accessories

Order No.	Type	description
05CZA662	B	Connecting cable (1 m)
05CZA663	B	Connecting cable (2 m)
06AFM380B	B	USB Input Tool Direct (2 m)
02AZD790B	B	Connecting cables for U-WAVE-T (160 mm)
02AZE140B	B	Connecting cables for U-WAVE-T For foot switch